

# S5L $\mu$ SOM

The Oclea™ S5L System on Module ( $\mu$ SoM) combines the Ambarella™ S5L System-On-Chip (SoC), DRAM, FLASH, and key peripherals together in a single package. The S5L  $\mu$ SoM represents a proven and reliable hardware design to speed your product time-to-market and mitigate the risk of costly hardware design errors.

The S5L  $\mu$ SoM is suitable for applications in surveillance, industrial automation, automotive, smart home/smart city, robotics and retail markets.

Paired with Technique’s royalty-free SDK\*, the  $\mu$ SoM platform is ready to enable new products leveraging Ambarella’s low power, best-in-class video processing and encoding camera technology. The rich API enables many encoding features, supports multi-stream processing, a dynamic dewarp engine, and WebRTC live streaming.

Technique’s flexible SDK provides a Linux-based framework with an environment based on GStreamer. The Oclea™ software platform is delivered with integrations to leading cloud service provider ecosystems via a mature but flexible REST API. Additionally, the SDK includes pre-defined demonstration applications that allow your software team to ramp up on this powerful platform quickly and start immediate development.

KEY FEATURES

**Great Power, Great Efficiency**

4Kp30 + 720p30 + 4Kp1 JPG encoding performance provides high quality video with efficient H.264 and H.265 encoding.

**Simplicity**

Technique’s SDK\* simplifies development of your vision product and runs on Linux, with popular integrations already done for you – so you can start your development immediately.

**Advanced Image Processing**

Electronic image stabilization, HDR, hardware de-warping engine support, and 2D/3D noise correction for excellent low-light image quality.

**Intelligent Video Analytics**

Integrate 3rd party provided analytics packages into the Oclea™ SoM SDK platform to enhance your application with ARM-driven intelligent video analytics..

**The Oclea™ S5L  $\mu$ SoM**

Size 32 x 32 x 3.99 mm • Weight 5g

ACTUAL SIZE

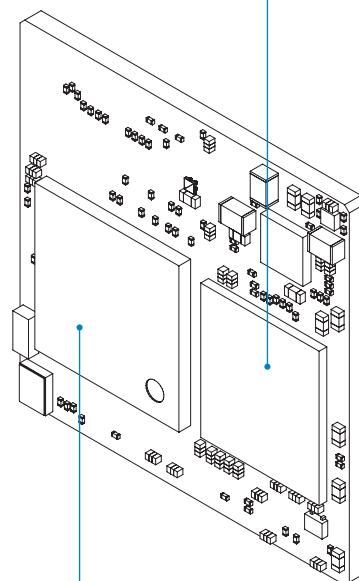


32mm

32mm

**Ambarella™ S5L SoC**

- Quad-core ARM® Cortex® -A53 1 GHz CPU
- Image Processing DSP
- Video Encoding DSP



- eMMC Flash 8GB
- LPDDR3 SDRAM 1GB

\* The SDK is available with purchase of the Oclea™ EVK - please refer to the Oclea™ EVK product brief for more detail.

**MAIN COMPONENTS**

**Ambarella™ S5L SoC**

- Quad-core ARM® Cortex®-A53 1GHz CPU
- Image Processing DSP
- Video Encoding DSP

**Memory and Storage**

- 8GB eMMC Flash
- 1GB LPDDR3 912 MHz DRAM
- Micro-SD Card (SDIO)

**INPUT/OUTPUT INTERFACES**

**Rich Video Sensor Interface**

- Primary Sensor Input
  - up to 8 Lane SLVS/MIPI
  - 8 bit Parallel LVDS
- Secondary Sensor Input
  - up to 4 Lane SLVS/MIPI
- With SERDES Front End
  - support for up to 4 Image Sensors
- Maximum Input Rate - 480MPixels/s

**USB 2.0 Host/Device**

**HDMI 1.4b Interface**

**Gigabit Ethernet**

**Many Additional Peripherals**

- UART, I2C, GPIO, I2S, PWM, etc

**POWER CONSUMPTION AND SDK**

**Lab measured power consumption**

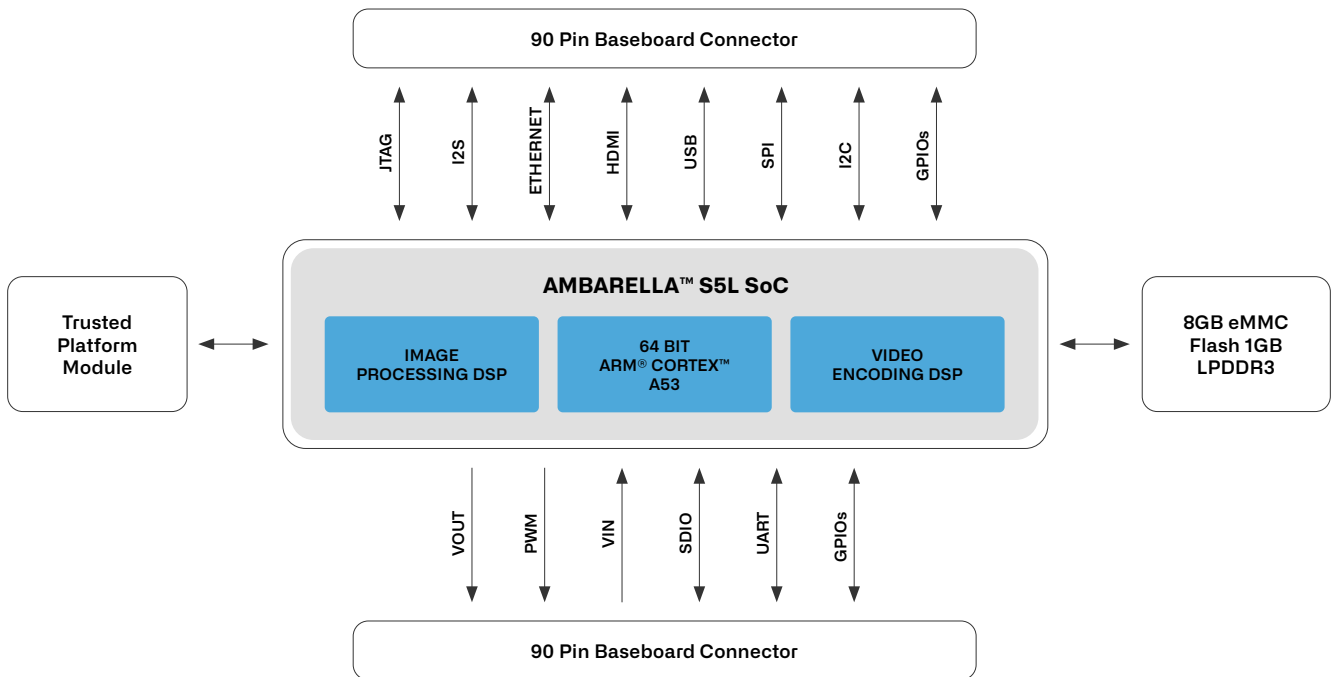
- Single stream 720p30 encoding - 1.5W
- Single stream 1080p encoding - 1.8W
- Dual stream 1080p30 encoding - 2.25W

**Mature and Highly Programmable SDK**

- Custom build your Oclea OS using the Yocto Project® build tools
- Linux Version 4.9
- GStreamer framework with sample demo applications in full source
- Mature and extendable REST API for cloud service integration
- Rich set of APIs that enable a wide range of product customizations.

**A NOTE ON SENSOR SUPPORT** Please check with your Sales Representative regarding Image Sensor options and Video Input support. New sensors or video input support may require NRE or custom engineering services.

**The Oclea™ S5L μSoM Block Diagram**



PB-USOM-S5L-2.0

Copyright Teknique Ltd. All rights reserved. Teknique, Oclea, the Oclea logo and the Teknique logo are trademarks of Teknique Ltd. All other brands, product names and company names are trademarks of their respective owners. The information in this document is believed to be reliable, but may project preliminary functionality not yet available. Teknique Ltd. makes no guarantee or warranty concerning the accuracy and availability of said information and shall not be responsible for any loss or damage whatever nature resulting from the use of, or reliance upon it. Teknique Ltd. does not guarantee that the use of any information contained herein will not infringe upon patent, trademark, copyright, or other rights of third parties. Teknique Ltd. reserves the right to make changes in the product and/or its specifications presented in this publication at any time without notice.